

Doka floor props Eurex



General instructions for compliant utilisation

- This User Information booklet (Method Statement) is aimed at everyone who will be working with the Doka product or system it describes. It contains information on how to set up this system, and on correct, compliant utilisation of the system.
This User Information booklet can also be used as a generic method statement or incorporated with a site-specific method statement.
 - Doka products are **ONLY** to be used in accordance with the Doka User Information booklets or other technical documentation provided by Doka.
 - The functional/technical instructions, safety warnings and loading data must all be strictly observed and complied with. Failure to do so can cause accidents and severe (even life-threatening) damage to health, as well as very great material damage.
 - **If any deviation from these instructions is contemplated, or any application which goes beyond those described here, then revised static calculations must be produced for checking, as well as supplementary assembly instructions.**
 - The customer is to ensure that the User Information booklet (Method Statement) provided by Doka is available to all users, and that they have been made aware of it and have easy access to it at the usage location.
 - Always observe all industrial safety regulations and other safety rules applying to the application and utilisation of our products in the country and/or region in which you are operating.
 - **Many of the illustrations in this booklet show the situation during formwork assembly and are therefore not always complete from the safety point of view.**
 - The equipment/system must be inspected by the customer before use, to ensure that it is in suitable condition. Steps must be taken to rule out the use of any components that are damaged, deformed, or weakened due to wear, corrosion or rot.
 - Only original Doka components may be used as spare parts.
 - Combining our formwork systems with those of other manufacturers could be dangerous, risking damage to both health and property. If you intend to combine different systems, please contact Doka for advice first.
- The customer must ensure that this product is erected and dismantled, reset and generally used for its intended purpose under the direction and supervision of suitably skilled persons with the authority to issue instructions.
 - All persons working with the product described herein must be familiar with the contents of this manual and with all the safety instructions it contains.
 - Persons who are incapable of reading and understanding this booklet, or who can do so only with difficulty, must be instructed and trained by the customer.

Elementary safety warnings

- Doka products and systems must be set up in such a way that all loads acting upon them are safely transferred!
- The stability of all components and units must be ensured during all phases of the construction work!
- Provide safe workplaces for those using the formwork (e.g. for when it is being erected/dismantled, modified or repositioned etc). It must be possible to get to and from these workplaces via safe access routes!
- Do not exceed the permitted fresh-concrete pressures. Excessively high pouring rates lead to formwork overload, cause greater deflection and risk causing breakage.
- Do not strike the formwork until the concrete has reached sufficient strength and the person in charge has given the order for the formwork to be struck!
- When striking the formwork, never use the crane to break concrete cohesion. Use suitable tools such as timber wedges, special pry-bars or system features such as Framax stripping corners.
- When striking the formwork, do not endanger the stability of any part of the structure, or of any scaffolding, platforms or formwork that is still in place!
- Observe all regulations applying to the handling of formwork and scaffolding. In addition, the Doka slinging means must be used - this is a mandatory requirement.
- Remove any loose parts or fix them in place so that they cannot be dislodged or fall free!
- All connections must be checked regularly to ensure that they still fit properly and are functioning correctly.
It is very important to check all screw-type connections and wedge-clamped joints whenever the construction operations require (particularly after exceptional events such as storms), and to tighten them if necessary.
- All components must be stored safely, following all the special Doka instructions given in the relevant sections of this User Information booklet!
- **Further safety instructions, especially warnings, will be found in the individual sections of this document!**
- **The faulty utilisations shown in the various sections of this booklet are only a selection of examples taken from our many years' experience in the field.**

Symbols used

The following symbols are used in this booklet:



Important note

Failure to observe this may lead to malfunction or damage.



Caution / warning / danger

Failure to observe this may lead to material damage, and to injury to health which may range up to the severe or even life-threatening.



Instruction

This symbol indicates that actions need to be taken by the user.



Sight-check

Indicates that you need to do a sight-check to make sure that necessary actions have been carried out.



Tip

Points out useful practical tips.

Miscellaneous

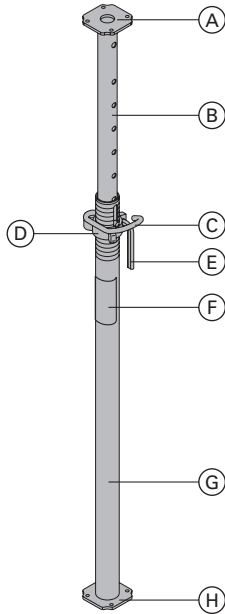
We reserve the right to make alterations in the interests of technical progress.

Unless otherwise stated, all dimensions are given in cm.

Product description

Doka floor props

Doka floor props Eurex are extendable floor props made of steel and are compliant with EN 1065. They are designed for use as vertical props for temporary structures.



A Head plate

B Slider tube

C Peg

D Adjusting nut

E Toggle lever

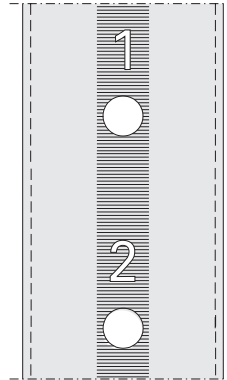
F Type label

G Fixed tube

H Baseplate

The main features:

- type-tested to EN 1065
- high load-bearing capacity
 - See the section entitled "Permitted prop loads"
- numbered pegging holes, for easier height adjustment

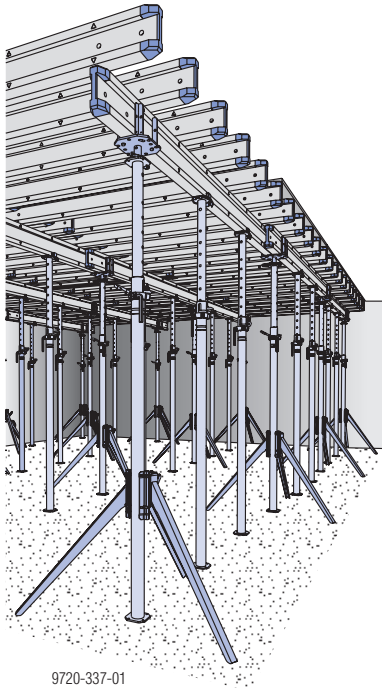


Tr393-200-01a

- Quick connection:
Head adapters of various types can be secured against pull with the spring pin
- Drop-out latch:
For safety reasons, Doka props have latches to prevent the inner tube sliding out of the fixed tube.
- special thread geometry, which makes the prop easier to release even when it is under high load
- When it fully closes, the prop still has a 10 cm gap so that the operator's hands are not trapped.
- elbowed fastening clamps, reducing the risk of injury and making the props easier to operate
- Galvanised, long-life constructional design

Instructions for assembly and use

Example of use with Dokaflex 1-2-4



You will also find information on correct usage in the in user information for the individual products, for example:


- Dokaflex
- Doka Xtra
- Dokamatic table
- Dokaflex table

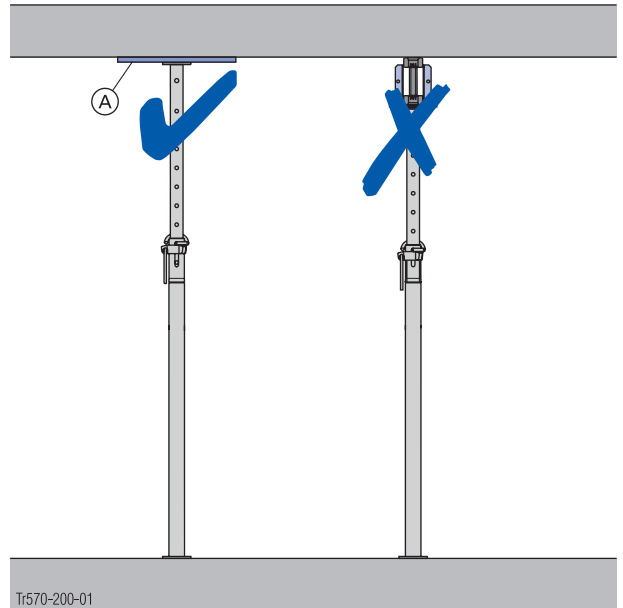


You will also find information on correct usage of the **Doka floor prop Eurex 20 700** in the user information document of the same name.

Example of use - Doka floor props Eurex for temporary shoring

When Doka floor props Eurex are used for temporary shoring the permitted loads are higher, as indicated in the table on page 6.

 The increase in load-bearing capacity applies only when the head plate and the baseplate are positioned directly against the slab (use of formwork panel **(A)** as packer is permissible).



Permitted prop loads

Use as free-standing construction props in accordance with the prop classes defined in EN 1065



For permissible loads of Doka floor props for the Dokaflex and Doka-Xtra systems, see the applicable user information documents.

Permitted prop loads [kN]

Prop height [m]	Eurex 20					Eurex 30				
	250	300	350	400	550	250	300	350	400	450
5.5										
5.4										
5.3										
5.2										
5.1										
5.0										
4.9										
4.8					20.0					
4.7										
4.6										
4.5										
4.4										
4.3										
4.2										
4.1										
4.0					20.6					
3.9					21.7					
3.8					22.9					
3.7				20.0	24.1					30.0
3.6					25.5					
3.5					26.9					
3.4				20.8	28.5					30.0
3.3				22.0	30.3					
3.2				23.4	32.2					
3.1			20.0	25.0	34.3			30.0		
3.0				26.7	35.0					
2.9				28.5						32.1
2.8				30.6					30.6	34.4
2.7		20.0		32.9			30.0		32.9	35.0
2.6			20.7	35.0				31.1	35.0	35.0
2.5			22.4	35.0				33.6	35.0	35.0
2.4	20.0	20.8	24.3	35.0		30.0	31.2	35.0	35.0	
2.3		22.7	26.5	35.0			34.0	35.0	35.0	
2.2	20.7	24.8	28.9			31.0	35.0	35.0		
2.1	22.7	27.2	30.0			34.0	35.0	35.0		
2.0	25.0	30.0	30.0			35.0	35.0	35.0		
1.9	27.7	30.0				35.0	35.0			
1.8	30.0	30.0				35.0	35.0			
1.7	30.0					35.0				
1.6	30.0					35.0				

Legend:

	Prop class B as per EN 1065
	Prop class C as per EN 1065
	Prop class D as per EN 1065
	Prop class E as per EN 1065

When used in Dokaflex tables and Dokamatic tables, or as temporary reproping (props restrained).

Permitted prop loads [kN]

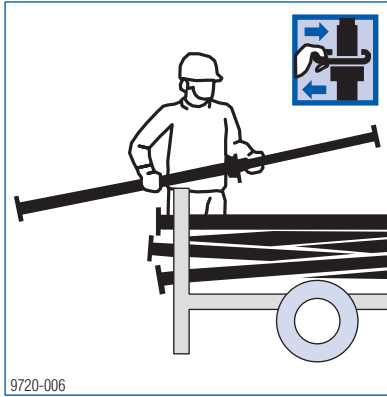
Prop height [m]	Eurex 20					Eurex 30				
	250	300	350	400	550	250	300	350	400	450
5.5					30.0					
5.4					32.0					
5.3					34.0					
5.2					36.0					
5.1					38.0					
5.0										
4.9										
4.8										
4.7										
4.6										
4.5										
4.4										
4.3										
4.2										
4.1										
4.0					30.0	40.0				
3.9					32.0					
3.8					34.0					
3.7					36.0					
3.6					38.0					
3.5										40.0
3.4										
3.3										
3.2										
3.1									40.0	
3.0										
2.9										
2.8									40.0	
2.7										
2.6										
2.5										
2.4										
2.3										
2.2										
2.1										
2.0	30.0							40.0		
1.9										
1.8										
1.7										
1.6										

Setup and removal

Setting up with tripod

Applies only for use as free-standing props. Comply with the instructions in the applicable user information document when using the props in combination with a formwork system.

- Roughly adjust the height of the floor prop, using the fastening clamp.

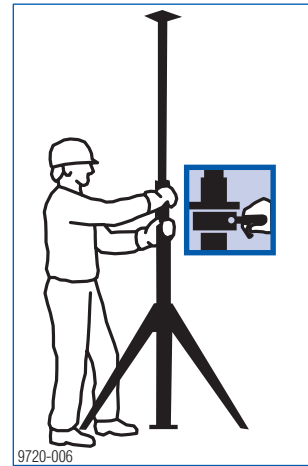


The pegging holes are all numbered, which makes it easier to adjust the props to the same height.

- Put up each removable folding tripod.
- Put the floor prop into the tripod and fix it in place with the clamping lever. Before stepping onto the formwork, check again to make sure that the props have been correctly fixed in the tripods.



- With the prop upright, use the adjusting nut for precision adjustment.

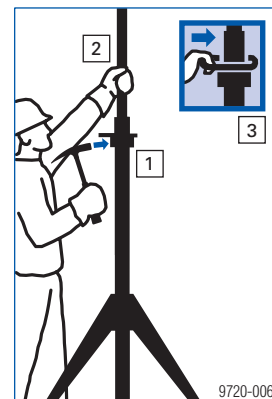


Setting up without tripod

- To prevent toppling, use retaining head H20 DF to secure intermediate props for floor formwork (see user information documents for Dokaflex 1-2-4 or Doka-Xtra, as applicable).
- When propping shoring, screw the floor props tight enough against the floor structure to ensure that they cannot topple.

Backing off floor props under load

- 1) Use a hammer to back off the adjusting nut.
- 2) Take a firm grip on the slider tube with one hand.
- 3) Open the peg to release the slider tube. Guide the slider tube into the fixed tube with your hand.



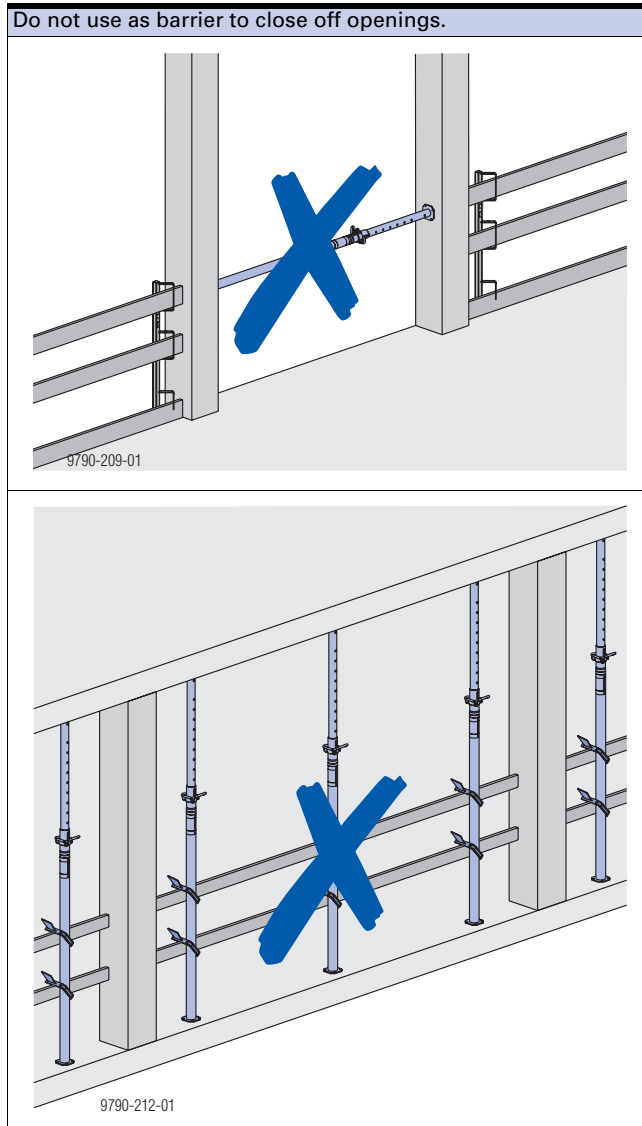
Possible incorrect usages



Warning!

► The uses illustrated below are prohibited, as are other, similar uses!

<p>Use only perfectly upright and plumb.</p>	<p>Baseplate must make full-surface contact with the ground.</p>
<p>9790-205-01</p>	<p>9790-207-01</p>
<p>Place only on ground of adequate load-bearing strength.</p>	
<p>9790-202-01</p>	<p>9790-201-01</p>
<p>Do not attempt to use floor props one on top of another.</p>	<p>Do not use anchor rods or lengths of rebar as substitutes for the pegs.</p>
<p>9790-206-01</p>	<p>9790-200-01</p>
<p>Do not use to support formwork panels.</p>	<p>Do not use as trenching braces.</p>
<p>9790-203-01</p>	<p>9790-204-01</p>



Technical condition

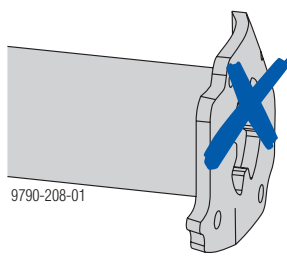
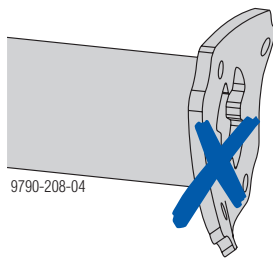
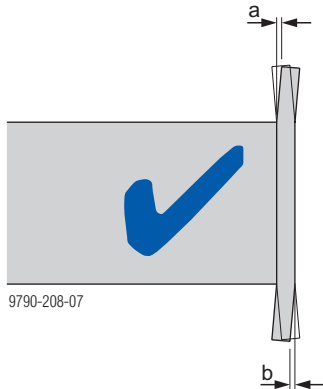
The following quality criteria define the extent of damage permissible in terms of load-bearing strength.

Use is prohibited if damage is beyond these limits.

Fixed tube - slider tube

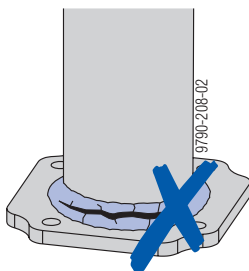
Head plate or baseplate bent out of shape

- a max. 1 mm outward and
- b max. 3 mm inward is permissible



Cracks in welds

- Not permissible.



Threads

- must be greased over entire length and action must be smooth.

Slider tube

- It must be possible to draw the slider tube out of the fixed tube when the two tubes are in the relative positions in which the holes for the peg are aligned.

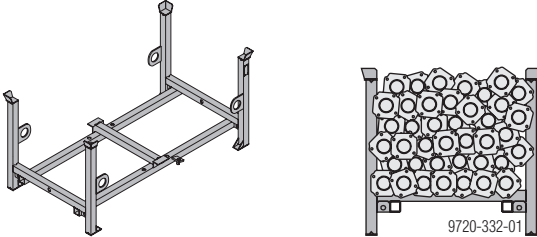
Widening

- of the pegging holes in the slider tube permissible up to 2 mm.

Transporting, stacking and storing

Doka stacking pallet 1.55x0.85m

- Ideal for all sizes of floor props, timber formwork beams, Dokadur panels and formwork sheets.
- Galvanised - stackable - safe to lift by crane.



Max. load: 1100 kg

Capacity of stacking pallet

Doka floor props	
Eurex 20 250, 300 and 350	40 props
Eurex 20 400 and 550	30 props
Eurex 30 250 and 300	40 props
Eurex 30 350, 400 and 450	30 props



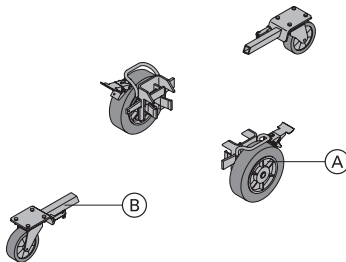
Follow the directions in the Operating Instructions!

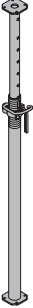
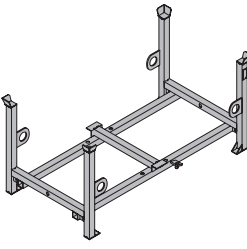

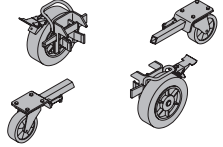

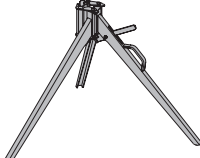
Bolt-on castor set

The quick-fit bolt-on castor set (with rapid-acting couplings) turns the stacking pallet into a fast and manoeuvrable transport trolley. Its width of only 86 cm makes it easy to manoeuvre through any doorway.

A bolt-on castor set consists of:

- 2 heavy duty wheels, complete **(A)**
- 2 bolt-on castors, complete **(B)**



	[kg]	Article n°		[kg]	Article n°	
Doka floor prop Eurex 20 250 Height: 152 - 250 cm Doka floor prop Eurex 20 300 Height: 172 - 300 cm Doka floor prop Eurex 20 350 Height: 197 - 350 cm Doka floor prop Eurex 20 400 Height: 227 - 400 cm Doka floor prop Eurex 20 550 Height: 297 - 550 cm Doka-Deckenstütze Eurex 20	12.9	586086000	 <p>Galvanised Perm. capacity: 20 kN at any telescoping length to EN 1065</p>	Doka stacking pallet 1.55x0.85m Doka-Stapelpalette 1,55x0,85m  <p>Galvanised Height: 77 cm Max. load: 1100 kg Follow the directions in the "Operating Instructions"!</p>	42.0	586151000
Doka floor prop Eurex 20 150 Doka-Deckenstütze Eurex 20 150	8.0	586096000	 <p>Galvanised Height: 92 - 150 cm Perm. capacity: 20 kN at any telescoping length</p>	Bolt-on castor set Anklemm-Radsatz  <p>Painted blue Max. load: 1100 kg</p>	33.5	586154000
Doka floor prop Eurex 30 250 Height: 152 - 250 cm Doka floor prop Eurex 30 300 Height: 172 - 300 cm Doka floor prop Eurex 30 350 Height: 197 - 350 cm Doka floor prop Eurex 30 400 Height: 227 - 400 cm Doka floor prop Eurex 30 450 Height: 248 - 450 cm Doka-Deckenstütze Eurex 30	14.8	586092000	 <p>Galvanised Perm. capacity: 30 kN at any telescoping length to EN 1065</p>			
Removable folding tripod Stützbein	15.6	586155000	 <p>Galvanised Height: 100 cm</p>			

The Doka floor props Dependable every time

Doka floor props are the right choice for every application
High load-bearing strength plus many practical details that help to make handling easier.

You can rent, lease or buy Doka floor props.

At any of the Doka branches in your region.

Why not give us a call?



The Doka Group's central plant at Amstetten, Austria

Doka international

Certified to
ISO 9001

**Österreichische Doka
Schalungstechnik GmbH**
Reichsstrasse 23, A 3300 Amstetten, Austria
Tel.: +43 (0)7472 605-0, Fax: +43 (0)7472 64430
E-Mail: Oest.Doka@doka.com
Internet: www.doka.com

Brazil
Doka Brasil
Fórmis para Concreto Ltda.
Rua Guilherme Lino dos Santos, 800
Jardim Flôr do Campo -
Guarulhos/SP CEP 07.190-010
Telephone: (011)6404-3500
Telefax: (011)6404-5700

Egypt
Al-Othman Trading Est.
P.O.Box 5643
Salah Salem Street
Heliopolis, West Cairo
Telephone: (2) 404 9137
Telefax: (2) 403 6375

Finland
Doka Finland Oy
Selintie 542
FIN 03320 Selki
Telephone: (09)22 42 64 0
Telefax: (09)22 42 64 20

France
Doka France SAS
3, chemin des Iles, Z.I.
F 78610 Le Perray en Yvelines
Telephone: 0134842727
Telefax: 0134842700

Greece
Doka Hellas
Kalouptekhniki Technologiki A.E.
Agiou Athanasiou 5
GR 153 51 Pallini / Attiki
Telephone: 210 6669211
Telefax: 210 6032614

Ireland
Doka Ireland Formwork Techn. Ltd.
Monasterboice, Drogheda
County Louth
Telephone: (041) 686 1620
Telefax: (041) 686 1525

Italy
Doka Italia S.p.A.
Strada Provinciale Cerca, 23
I-20060 Colturano MI
Telephone: 0298 27 6.1
Telefax: 0298 23 75 77

Korea
Kumkang Doka Co. Ltd.
12F, Kangnam Bldg
1321-1 Seocho-Dong, Seocho-Gu
SEOUL 137-857
Telephone: (0)2 562-3030
Telefax: (0) 2 565-4466

Kuwait
Doka Kuwait
Div. of Riham Gen. Trad. & Cont. Co.
P.O. Box 2217 Salmiyah
22023 Kuwait
Telephone: 482 24 62
Telefax: 482 24 72

Lebanon
**Österreichische Doka
Schalungstechnik GmbH**
Doka Branch Lebanon
Sodeco Square, Block C / 9th floor
Beirut/Lebanon
Telephone: (01) 61 25 69
Telefax: (01) 61 25 70

Norway
Doka Norge AS
Heggstadmoen 4
N 7080 Heimdal
Telephone: 72 89 38 10
Telefax: 72 89 38 11

Portugal
Doka Portugal Cofragens Lda.
Zona Industrial da Abrunheira
Sintra Business Park
Edifício 1, 1º M
P 2710-089 Sintra
Telephone: 21 911 26 60
Telefax: 21 911 20 11

Saudi Arabia
Doka Formwork Technology
Div. of Mahmoud Othman Est.
P.O. Box 7620
Jeddah 21472
Telephone: (02)669 10 08
Telefax: (02)664 86 25

Spain
Doka España Encofrados, S.A.
Poligono Industrial Aimayr
Calle Acero 4 y 13
28330 San Martín de la Vega (Madrid)
Telephone: 91 685 75 00
Telefax: 91 685 75 01

Sweden
Doka Sverige AB
Kurödsvägen 20
S 451 55 Uddevalla
Telephone: (0522) 65 66 30
Telefax: (0522) 65 66 39

Singapore
DFS Technology Pte. Ltd.
No. 25 Senoko Drive
Singapore 758212
Telephone: 6747 3890
Telefax: 6747 9770

Taiwan
DEC Engineering Corp.
7 Fl., No.123, Sec.4, Pa-Te Rd.
Taipei, Taiwan, R.O.C.
Telephone: (2)27 534261
Telefax: (2)27 533338

Turkey
Doka Kalip-Iskele
Sanayi ve Ticaret A.S.
Baris Mahallesi, Dr.Zeki Acar Cad.10
TR 41400 Gebze, Kocaeli
Telephone: (0262) 642 02 65
Telefax: (0262) 642 82 99

United Arab Emirates
Doka Gulf FZE
P.O. Box 61407
Jebel Ali Free Zone, Dubai
Telephone: 4 881 8096
Telefax: 4 881 8097

United Kingdom
Doka UK
Formwork Technologies Ltd
Monchelsea Farm, Heath Road
Boughton Monchelsea
Maidstone, Kent, ME17 4JD
Telephone: (01622) 74 90 50
Telefax: (01622) 74 90 33

Other subsidiaries and representatives:

Australia
Bahrain
Belgium
Bulgaria
China
Croatia
Czech Republic
Denmark
Estonia
Germany
Guatemala
Hungary
Iceland
India
Indonesia
Iran
Israel
Japan
Latvia
Lithuania
Libya
Malaysia
Mexico
Netherlands
New Zealand
Poland
Qatar
Romania
Russia
Serbia and Montenegro
Slovakia
Slovenia
South Africa
Switzerland
Thailand
Ukraine
USA
Vietnam

doka
The Formwork Experts